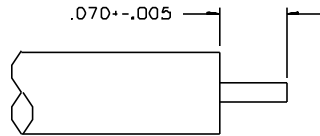
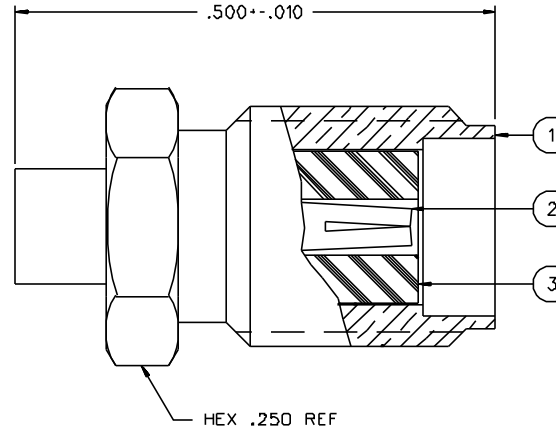


PART NUMBER	ITEM ① BODY	ITEM ② CONTACT	ITEM ③ INSULATOR
142-0593-001	BRASS GOLD PL .00001 MIN OVER NICKEL PL .00005 MIN OVER COPPER PL .00005 MIN	BERYLLIUM COPPER GOLD PL .00005 MIN OVER NICKEL PL .00005 MIN OVER COPPER PL .00005 MIN	TEFLON
142-0593-006	BRASS NICKEL PL .0001 MIN OVER COPPER PL .00005 MIN	BERYLLIUM COPPER GOLD PL .00005 MIN OVER NICKEL PL .00005 MIN OVER COPPER PL .00005 MIN	TEFLON



CABLE STRIP DIMENSIONS



NOTES:

1. SPECIFICATIONS:

IMPEDANCE: 50 OHMS
 FREQUENCY RANGE: 0-26.5 GHZ
 VSWR: 1.07-.008F MAX (F IN GHZ) (0-18 GHZ), 1.35 MAX (18-26.5 GHZ)
 WORKING VOLTAGE: 335 VRMS MAX AT SEA LEVEL
 DIELECTRIC WITHSTANDING VOLTAGE: 1000 VRMS MIN AT SEA LEVEL
 INSULATION RESISTANCE: 5000 MEGOHM MIN
 CONTACT RESISTANCE:
 CENTER CONTACT - INITIAL 3.0 MILLIOHM MAX, AFTER ENVIRONMENTAL 4.0 MILLIOHM MAX
 OUTER CONDUCTOR - INITIAL 2.0 MILLIOHM MAX
 BODY TO CABLE - 0.5 MILLIOHM MAX
 CORONA LEVEL: 250 VOLTS MIN AT 70,000 FEET
 INSERTION LOSS: $\sqrt{0.3F}$ (F IN GHZ) AT 10 GHZ
 RF LEAKAGE: -90 DB MIN AT 2.5 GHZ
 RF HIGH POTENTIAL WITHSTANDING VOLTAGE: 670 VRMS MIN AT 4 AND 7 MHZ

MECHANICAL:

ENGAGE/DISENGAGE TORQUE: 2 INCH-POUNDS MAX
 MATING TORQUE: 7-10 INCH POUNDS
 COUPLING PROOF TORQUE: NOT APPLICABLE
 COUPLING NUT RETENTION: NOT APPLICABLE
 CONTACT RETENTION: NOT APPLICABLE
 CABLE ACCEPTABILITY: RG 405 DIA .086 SEMIRIGID
 CABLE HEX CRIMP SIZE: NOT APPLICABLE
 CABLE RETENTION: 30 LBS MIN AXIAL FORCE
 16 INCH-OUNCE MIN TORQUE
 DURABILITY: 500 CYCLES MIN

ENVIRONMENTAL:

(MEETS OR EXCEEDS THE APPLICABLE PARAGRAPH OF MIL-PRF-39012)
 THERMAL SHOCK: MIL-STD-202, METHOD 107, CONDITION B,
 EXCEPT 115° C HIGH TEMP
 OPERATING TEMPERATURE: -65 DEG C TO 165 DEG C
 CORROSION: MIL-STD-202, METHOD 101, CONDITION B
 SHOCK: MIL-STD-202, METHOD 213, CONDITION I
 VIBRATION: ML-STD-202, METHOD 204, CONDITION D
 MOISTURE RESISTANCE: MIL-STD-202, METHOD 106

DRAWING NO. C - 142-0593-001/010			
0 REVISIONS			
ENGINEERING RELEASE			
01	12-06-88	E J R A W	12-14-88 ECO 23716
VERSION UPDATE			
02	03-09-89	E J R A W	04-10-89 ECO 23892
ADDED: 115° C HIGH TEMP TO THERMAL SHOCK SPEC.			
03	06-06-90	E J R A W	7-3-90 ECO 24435
.070+-0.005 WAS .085+-0.015. 10 GHZ WAS 9 TO 12.4 GHZ. DELETED: .424+-0.010 ADDED: HEX .312 REF			
D4	11-19-90	R T H A W	11-26-91 ECO 24969
VERSION UPDATE			
D5	9-6-91	D B M	9-10-91 ECO 40501
FREQ RANGE 0-26.5 GHZ WAS 0-18 GHZ. RF LEAK 2.5 GHZ WAS 2 TO 3 GHZ. RF HIGH POT 4 AND 7 MHZ WAS 5 TO 7.5 MHZ, UPDATED GRAPHICS. ADDED: 10-18 GHZ, 1.35 MAX (18-26.5 GHZ) TO VSWR			
6	3-15-94	R T H A W	4-5-94 ECN 42355
VERSION UPDATE			
6a	8-11-94	R T H A W	ECN 42636
UPDATED GRAPHICS AND LOGOS ***** REVISION NUMBER FOLLOWED BY AN ALPHA ***** ***** CHARACTER INDICATES DRAWING CHANGE ***** ***** CAUTION ON PART NUMBER ADDITION ONLY. *****			
6b	5-2-02	B A	5-23-02 ECN 48385

CUSTOMER DRAWING

THIS DRAWING TO BE INTERPRETED PER ANSI Y 14.5M - 1982

"μSTATION"

COMPANY CONFIDENTIAL

TOLERANCE UNLESS OTHERWISE SPECIFIED	DRAWN BY E J	DATE 10-26-88	299 Johnson Ave. P.O. Box 1732 Waseco, MN 56093-0832	
DECIMALS .XX	CHECKED BY	DATE	TITLE JACK ASSEMBLY STRAIGHT CABLED SMA, RG 405	
XXX	APPROVED BY TAK	DATE 12-7-88	CODE NO.	DRAWING NO. C - 142-0593-001/010
MATL	APPROVED BY RJB	DATE 12-7-88	SCALE 10:1	U/N INCH SHEET 2 OF 2
FINISH	RELEASE DATE	12-14-88		